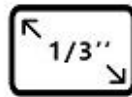


Product Description



Sensor
AR0130CS



1/3"
4.8*3.6mm



Resolution
1280*960



ADC
12bit



QE
80%



Read Noise
4.0e



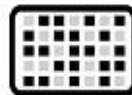
FPS
35



Full well
13000e



USB
2.0



Pixel Size
3.75 μ m

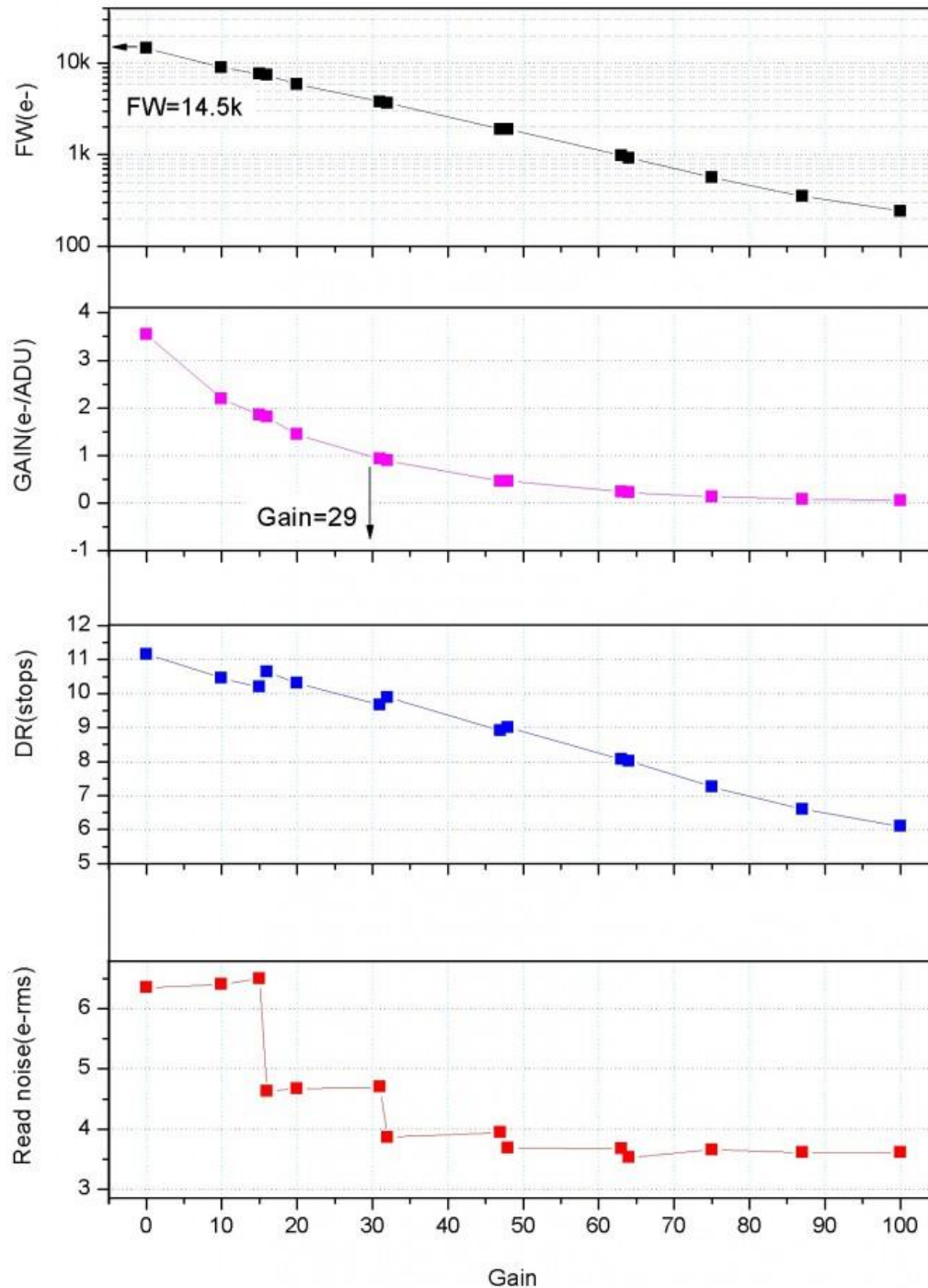
Camera Sensor

ASI120MM Mini camera integrates **AR0130CS** 1/3" sensor (4.8 mm x 3.6 mm). It is ZWO new mini camera. This camera has **1280 x 960 pixels**. The pixel size is 3.75 μm x 3.75 μm . This camera provides **12bit ADC** and its **QE peak is almost 80%**.

Astrophotography Performance

ASI120 mini camera offers you very good performance for planetary imaging and guiding. Low read noise, high dynamic range, AR protective window and much more.

Read noise, full well, gain and dynamic range for ASI120



High QE

Absolute QE Curve, we estimate the Peak Value is almost 80%.

AR0130CS

SPECTRAL CHARACTERISTICS

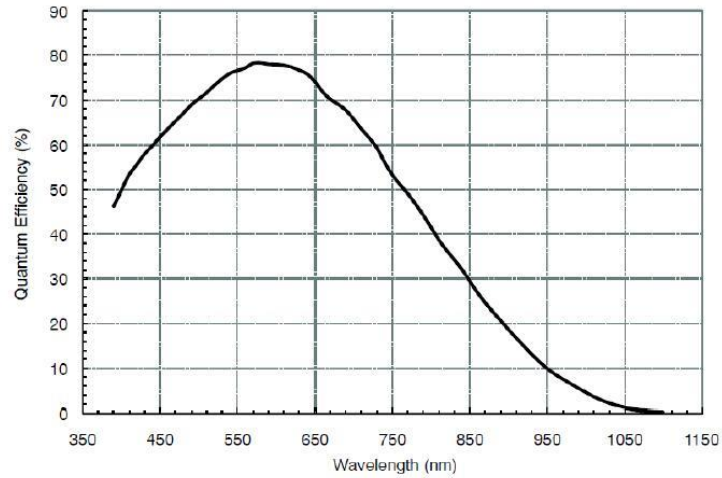


Figure 26. Quantum Efficiency – Monochrome Sensor

120Mini VS 120MM-S

Compared with ASI120MM-S camera, 120mini have smaller outlook, lighter weight, and it can reach focus at same position with eyepiece.



ASI120MM Mini

Diameter	36mm
Weight	60g
Interface type	Type C
Speed	USB 2.0



ASI120MM-S

Diameter	62mm
Weight	120g
Interface type	Type B
Speed	USB 3.0

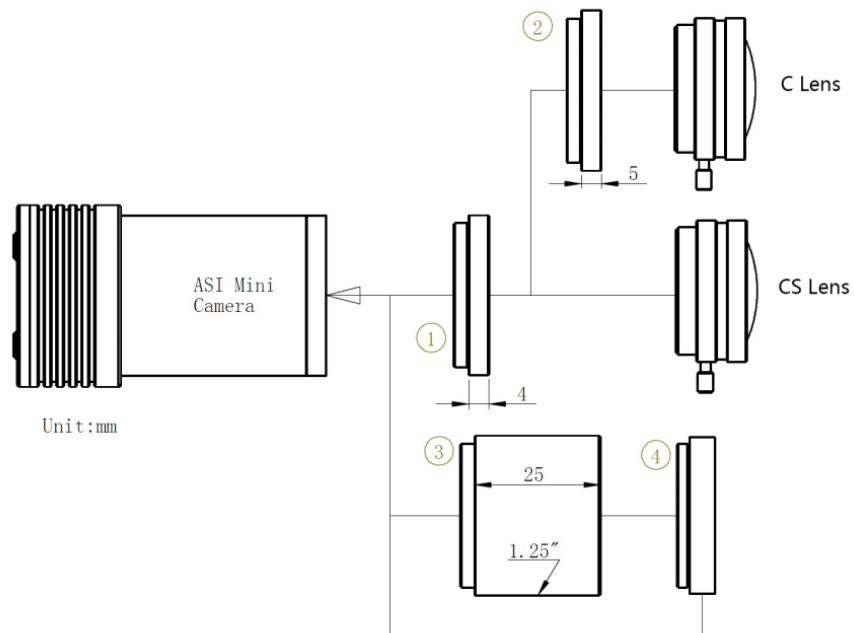
USB2.0 Port & ST4 Port

USB 2.0 Port: Mini camera has one USB2.0 type C port. Type C port is very popular in mobile phones, it will not care about positive side and negative side of the adapter.

ST4 Port: Can connect mini camera direct connect to auto guide port of mount.

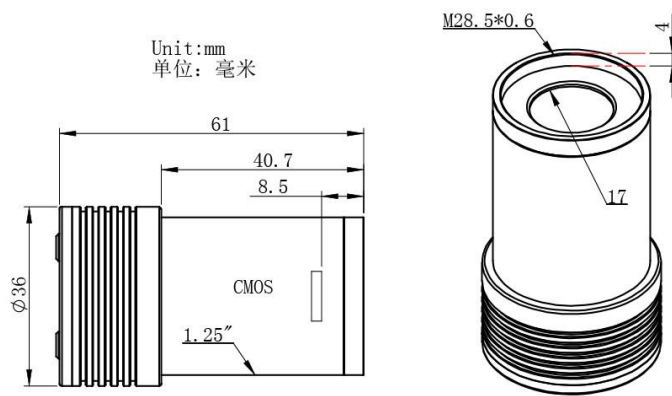


Connecting Drawing



1. M28.5-CS adapter
2. CS-C adapter
3. 1.25" extender
4. 1.25" filter

Mechanical Drawing



What is in the box?

ASI mini camera box includes all necessary cables, adapters, and manuals.



Drivers and Softwares:

Our website has newest camera drivers and many DSO and Planetary capture softwares. Please make sure the newest driver and software has been installed before you start shooting:

<https://astronomy-imaging-camera.com/software/>

Sensor: 1/3" CMOS AR0130CS(Mono)
Resolution: 1.2Mega Pixels 1280x960
Pixel Size: 3.75 μ m
Exposure Range: 64 μ s-2000s
ROI: Supported
ST4 Guider Port: Yes
Focus Distance to Sensor: 8.5mm
Shutter Type: Rolling Shutter

Protect window: AR coated window
Operating System Compatibility: Mac, Windows, Linux
Interface: USB2.0
Bit rate: 12bit output
Adaptor: 1.25" / M28.5X0.6
Dimension: ϕ 36mm X 61mm
Weight: 60g or 3.1 ounces (without lens)
Working Temperature: -5°C—45°C
Storage Temperature: -20°C—60°C
Working Relative Humidity: 20%—80%
Storage Relative Humidity: 20%—95%
Supported resolution
Binning 1×1:
1280X960@35FPS
1280X720@46FPS
1024X768@54FPS
800X600@90FPS
640X480@118FPS
320X240@224FPS
Binning 2×2:
640X480@35FP
More resolutions can be user defined