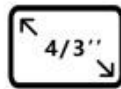


Product Description



Sensor
MN34230



4/3''
23.6*15.6mm



Resolution
4656*3520



ADC
12bit



QE
60%



Read Noise
1.2e



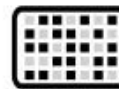
FPS
23



Full well
20000e



USB
3.0

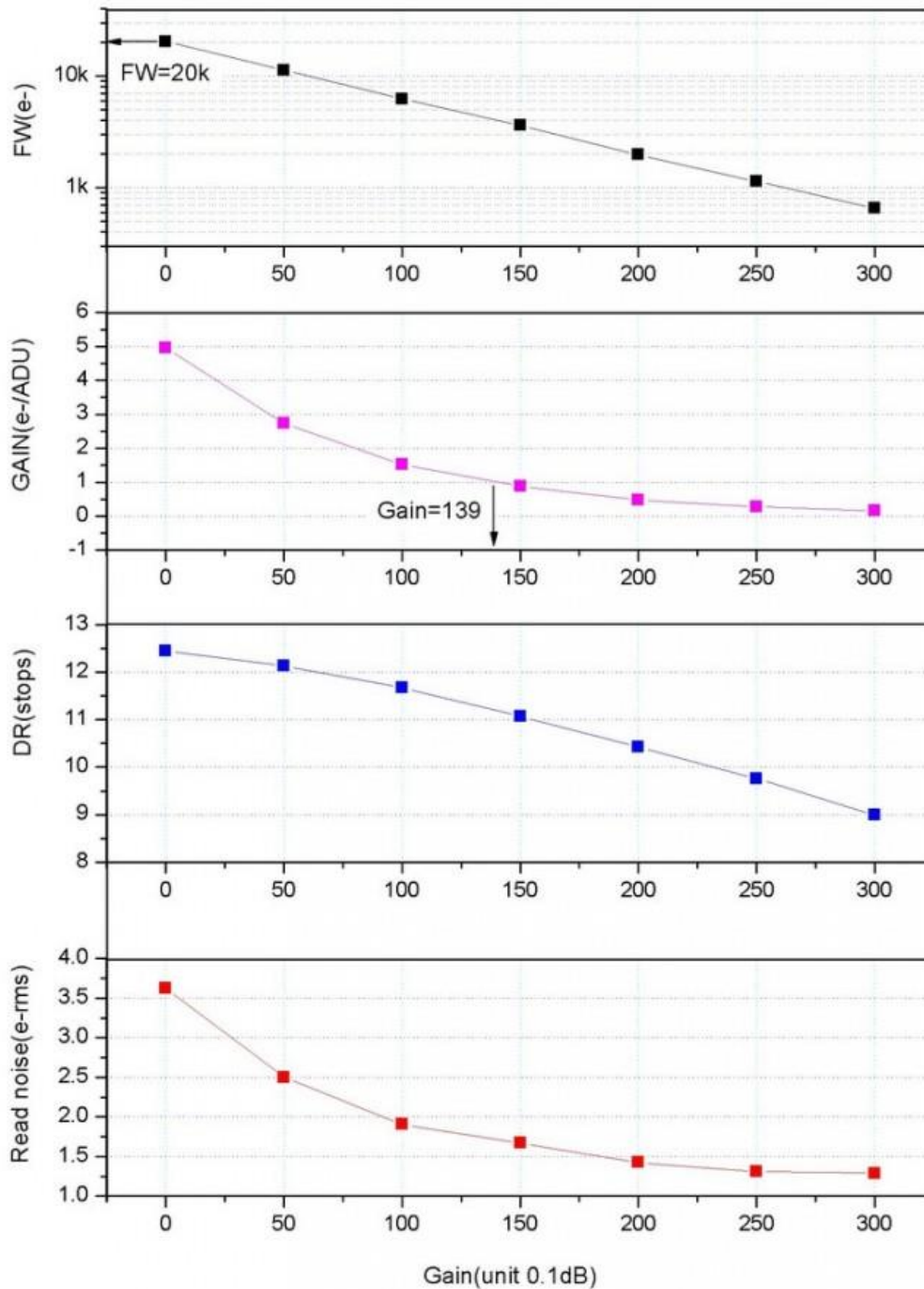


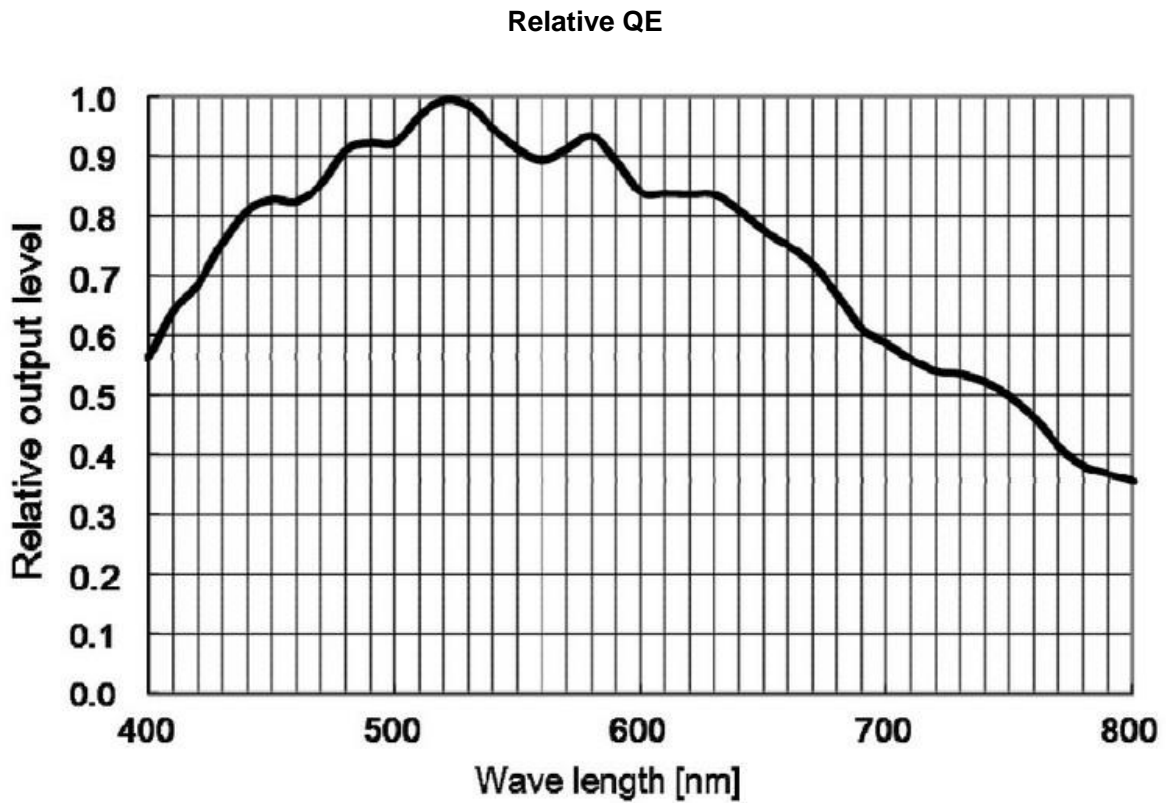
Pixel Size
3.8 μ m

Astrophotography Performance

ASI1600 build in 12bit ADC but can provide 12.5 stops dynamic range which is even better than KAF8300 due to its super low read noise.

Read noise, full well, gain and dynamic range for ASI1600





USB 3.0 Port & ST4 Port

USB 3.0 Port: can provide 5Gb bandwidth to let ASI1600 run at 14.7 fps (12bit, normal mode) or 23 fps (10bit, high speed mode) at full resolution(16Mega).

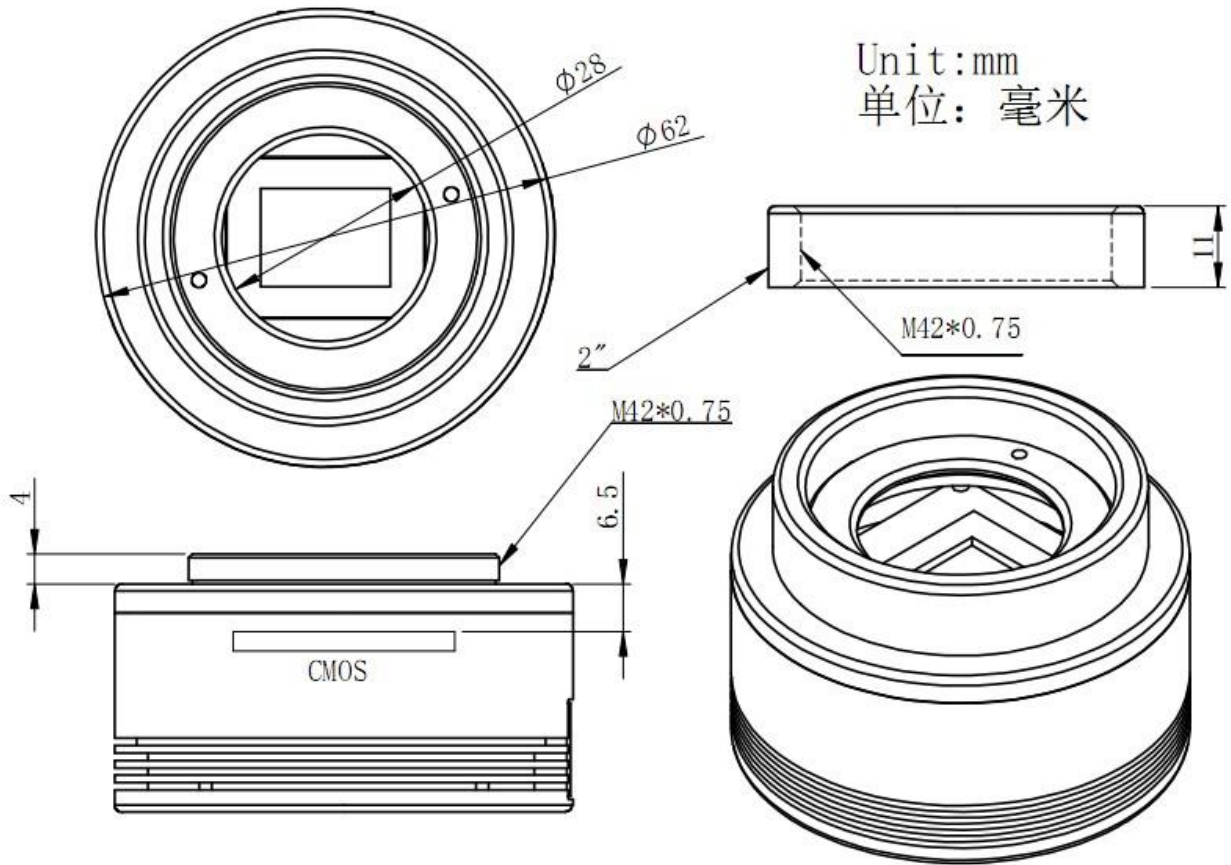
ST4 Port: can be used connect with auto guide port of mount, for guiding.

Back Focus

After remove T2 11mm ring, back focus length will be only 6.5mm.



Mechanical Diagram



What is in the box?



ST4 cable



camera body



T2-1.25" adapter



quick guide



1.25" cover



2m USB3.0 cable



2" cover



1.25" nose piece

Drivers and Softwares:

Our website has newest camera drivers and many DSO and Planetary capture softwares. Please make sure the newest driver and software has been installed before you start shooting:

<https://astronomy-imaging-camera.com/software/>

Camera technical details

Sensor: 4/3" CMOS

Diagonal: 21.9mm

Resolution: 16Mega Pixels 4656x3520

Pixel Size: 3.8 μ m

Max FPS at full resolution :23FPS

Exposure Range: 32 μ s-2000s

Read Noise: 1.2e @30db gain

Shutter:Rolling shutter

QE peak: TBD

Full well: 20ke

ADC:12bit

Interface: USB3.0/USB2.0

Adaptor: 2" / 1.25" / M42X0.75

Protect window:AR window

Dimensions: ϕ 62mm X 41mm

Weight: 140g

Back Focus Distance: 6.5mm

Working Temperature: -5°C—45°C

Storage Temperature: -20°C—60°C

Working Relative Humidity: 20%—80%

Storage Relative Humidity: 20%—95%

Supported resolution

12Bit ADC

4656x3520 14.7fps

3840x2160 23.1fps

1920x1680 32.9fps

1280x960 47.1fps

640x480 80.4fps

320x240 124.4fps

10Bit ADC

4656x3520 23fps

3840x2160 36.2fps

1920x1680 57.7fps

1280x960 73.6fps

640x480 125.7fps

320x240 192.4fps

more resolutions are user defined