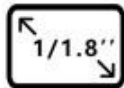


Product Description

ASI178MC



Sensor
IMX178



1/1.8''
7.4*5.0mm



Resolution
3096*2080



ADC
14bit



QE
81%



Read Noise
1.4e



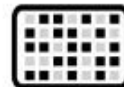
FPS
60



Full well
15000e



USB
3.0



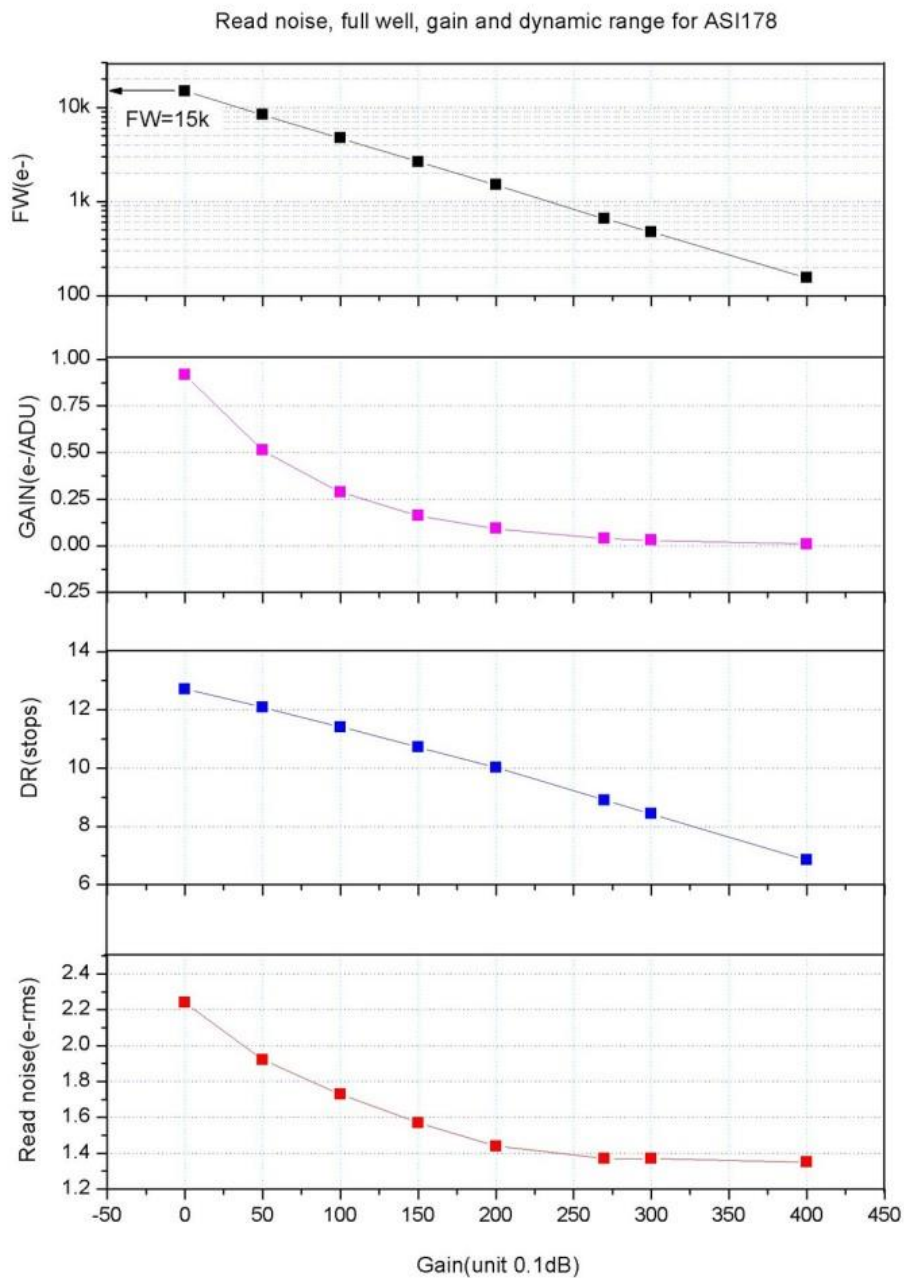
Pixel Size
2.4μm

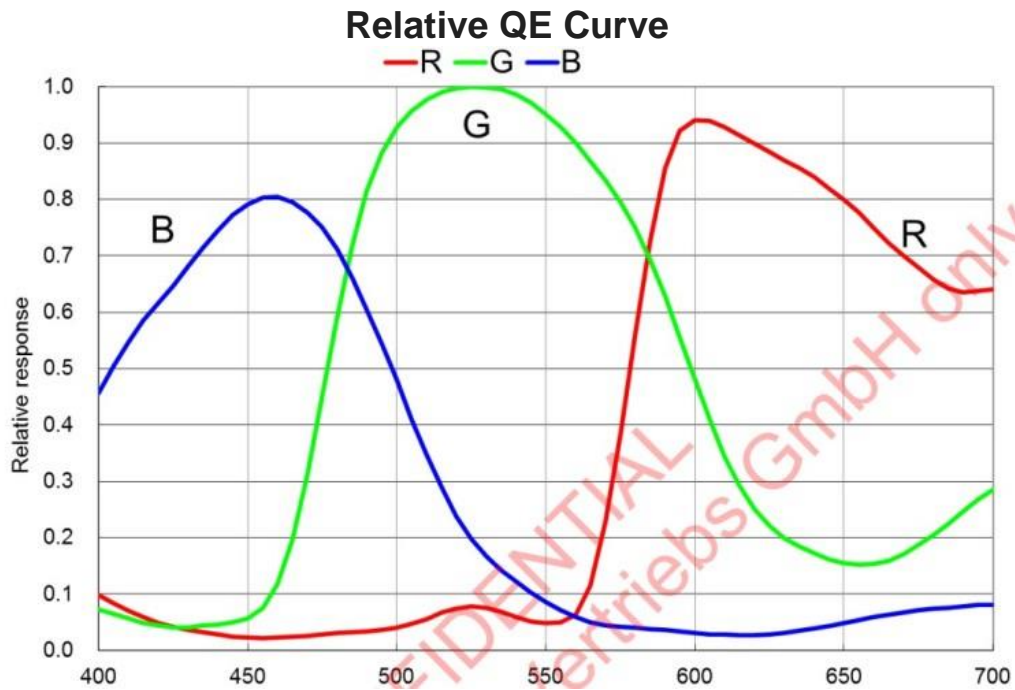
Camera Sensor

Back-illuminated CMOS Image Sensor with 14bit ADC. ASI178MC has a 1/1.8" and 6.4M pixels sensor IMX178 with SONY STARVIS and Exmor R Technology.

Astrophotography Performance

Extremely low read noise(1.4e-2.2 e) , 1.4e @27db, high sensitivity and 14bit ADC make it very suitable for astronomy and microscopy high resolution photograph.



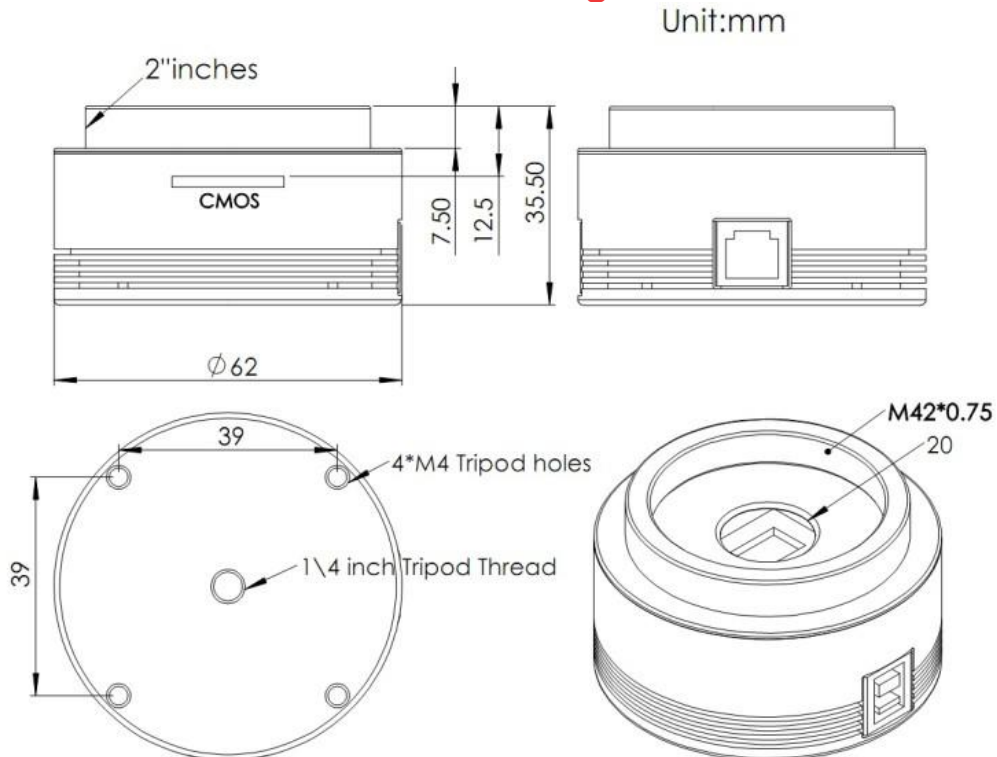


USB 3.0 Port & ST4 Port

USB 3.0 Port: can provide 5Gb bandwidth to let ASI178 run at 30 fps (14bit, normal mode) or 60 fps (10bit, high speed mode) at full resolution(6.4Mega).

ST4 Port: can be used connect with auto guide port of mount, for guiding.

Mechanical Diagram



What is in the box?



Come with a 2.5mm all sky lens which can provide a nearly 170° view of the sky.

Drivers and Softwares:

Our website has newest camera drivers and many DSO and Planetary capture softwares. Please make sure the newest driver and software has been installed before you start shooting:

<https://astronomy-imaging-camera.com/software/>

Camera technical details

Sensor: 1/1.8" CMOS IMX178
Resolution: 6.4 Mega Pixels 3096*2080
Pixel Size: 2.4 μ m
Sensor Size: 7.4mm*5mm
Diagonal: 8.92mm
Exposure Range: 32 μ s-1000s
ROI: Supported
ST4 Guider Port: Yes
Focus Distance to Sensor: 12.5mm
Shutter Type: Rolling Shutter
Protect window: IR-CUT window
Operating System Compatibility: Mac, Windows, Linux
Interface: USB3.0/USB2.0
Bit rate: 14bit output(14bit ADC)
Adaptor: 2" / 1.25" / M42X0.75
Dimension: ϕ 62mm X 36mm
Weight: 120g or 4.2 ounces (without lens)
Working Temperature: -5°C—45°C
Storage Temperature: -20°C—60°C
Working Relative Humidity: 20%—80%
Storage Relative Humidity: 20%—95%

Supported resolution

10bit ADC/**14bit ADC**

3096×2080 60fps / 30fps
2560×2048 62fps / 31fps
2048×1080 116fps / 58fps
1280×960 130fps / 65fps
800×600 204.7fps / 102.3fps
640×480 253.1fps / 126.5fps
320×240 479.7fps / 239.8fps

USB2.0

3096×2080 6fps
2560×2048 8fps
2048×1080 19fps
1280×960 34fps
800×600 89.5fps
640×480 139.9fps
320×240 479.7fps

More resolutions can be defined by user