

Product Description

EAF (Electronic Automatic Focuser)



Introducing the new EAF, the latest innovation from the engineers at ZWO. This electronic focuser enables precise, dynamic focus control for planetary and deep-sky imaging.



Features:

1. Highly integrated design
2. Support ASCOM platform and various ASCOM-compatible third-party software
3. Support INDI
4. Support original software such as ASIAIR and ASICAP
5. Support automatic focusing
6. Support handle controller and manual focusing
7. Support temperature sensor
8. USB HID device and drive-free
9. Stable and durable



Standard Version: EAF body, flexible coupling, motor bracket, USB2.0 cable.

Advanced Vrsion: EAF body, flexible coupling, motor bracket, USB2.0 cable, hand controller, temperature sensor. (Available in July. You could pruchase the standard version first, when hand controller has released, buy other accessories to upgrade)



Support list:

SkyWatcher Astrophotography Reflectors, SkyWatcher Black Diamond, SkyWatcher Dobsonians, SkyWatcher Maksutov-Newtonians.

SharpStar telescopes,

SkyRover telescopes,

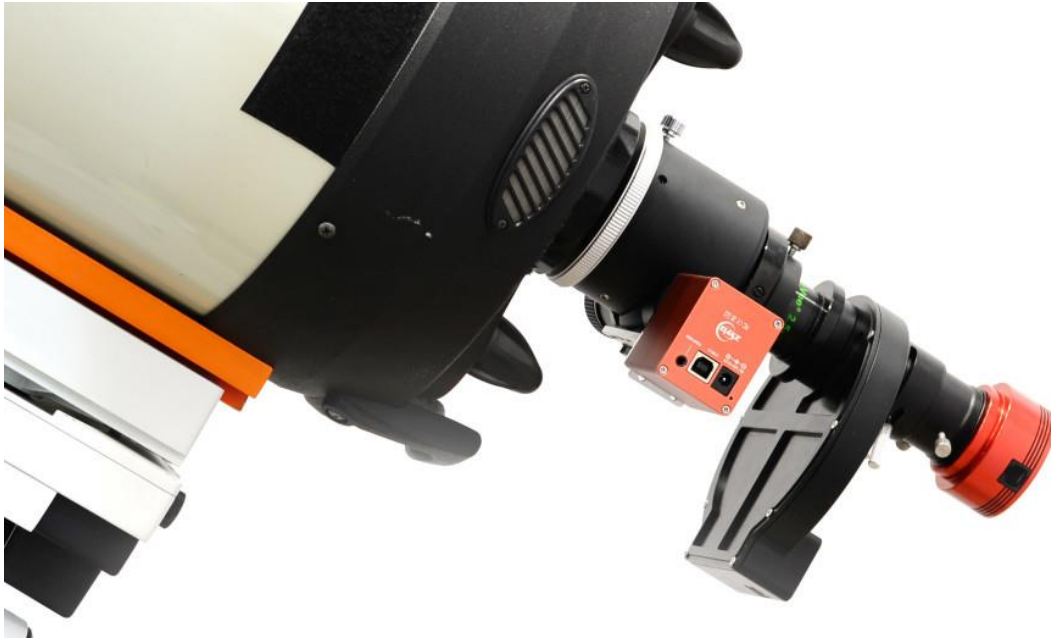
TS Optics,

Astro Tech,

Feather Touch,

More focuser will be supported in the future. such as TAKAHASHI telescopes, GSO telescopes.

Recommend to use extra focuser and EAF on SCT and MCT.



Parameters:

Size: 59mm x 52mm x 41mm

Motor: Step motor, 35mm diameter, 5760 steps to rotate a circle.

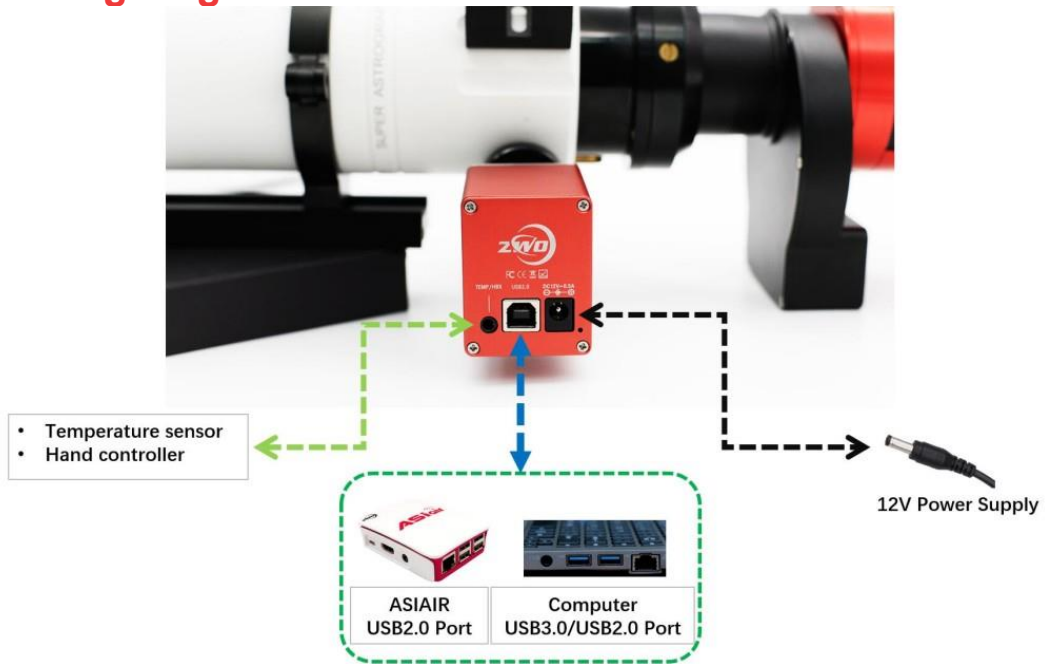
Power port: 12V DC 5.5mm x 2.1mm, center positive

Data port: USB2.0 port

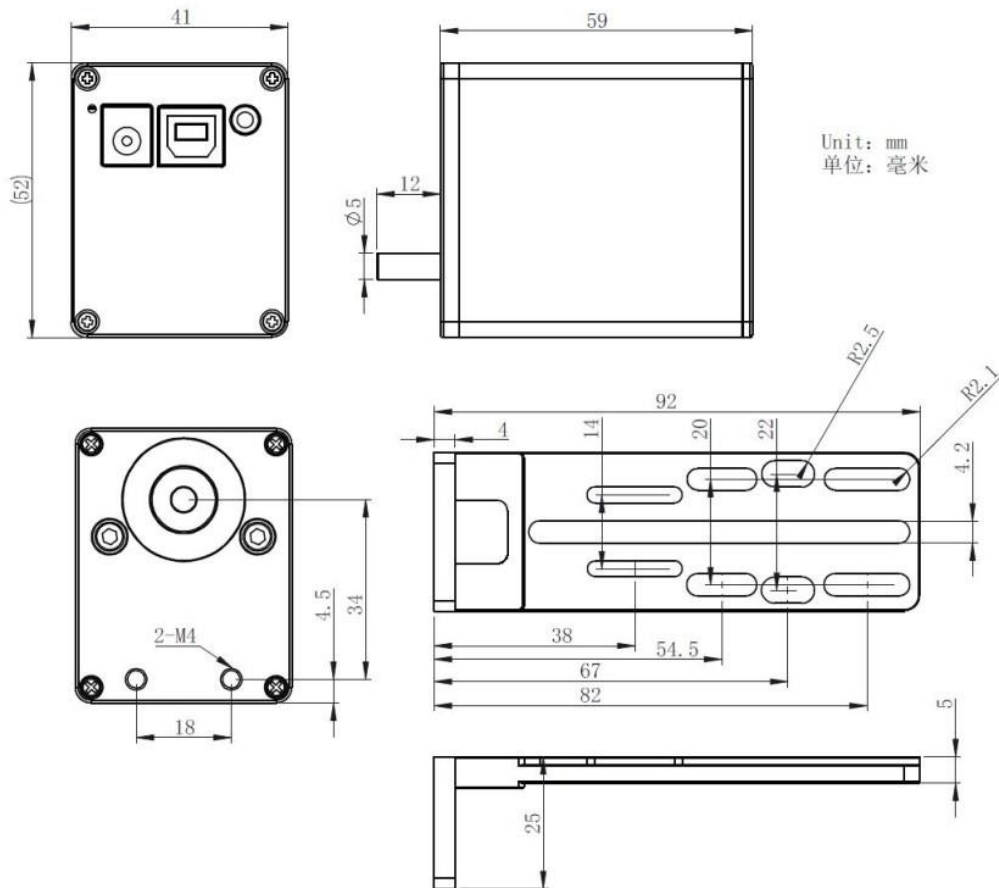
Weight: 277g

Capacity: 5kg

Connecting diagram

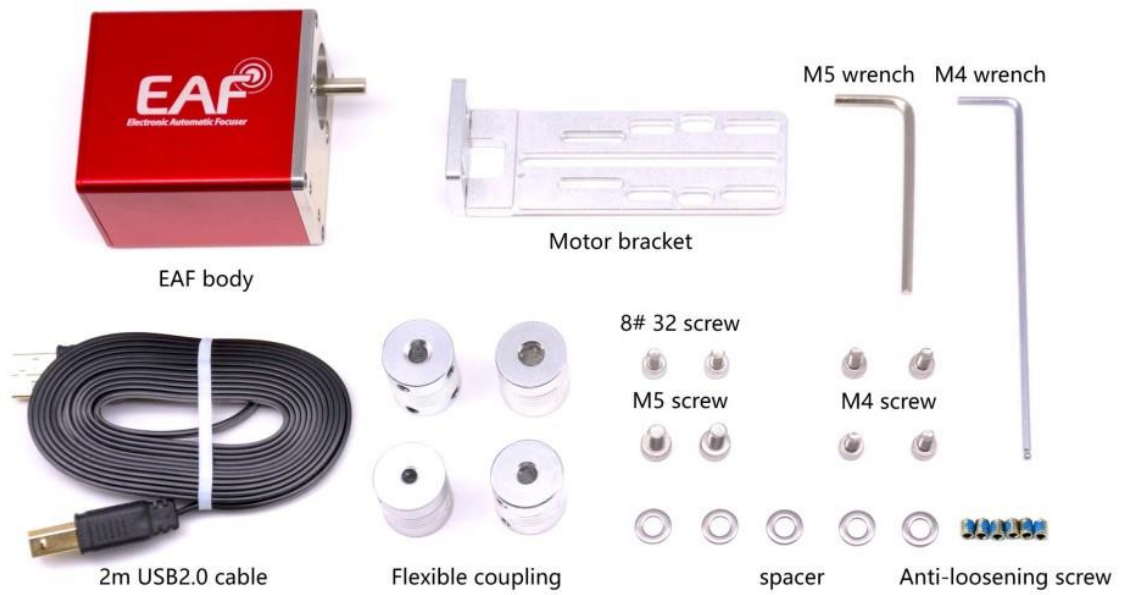


Mechanical diagram



What's in the box:

EAF Standard Version Package List



User manual:

Coming soon!